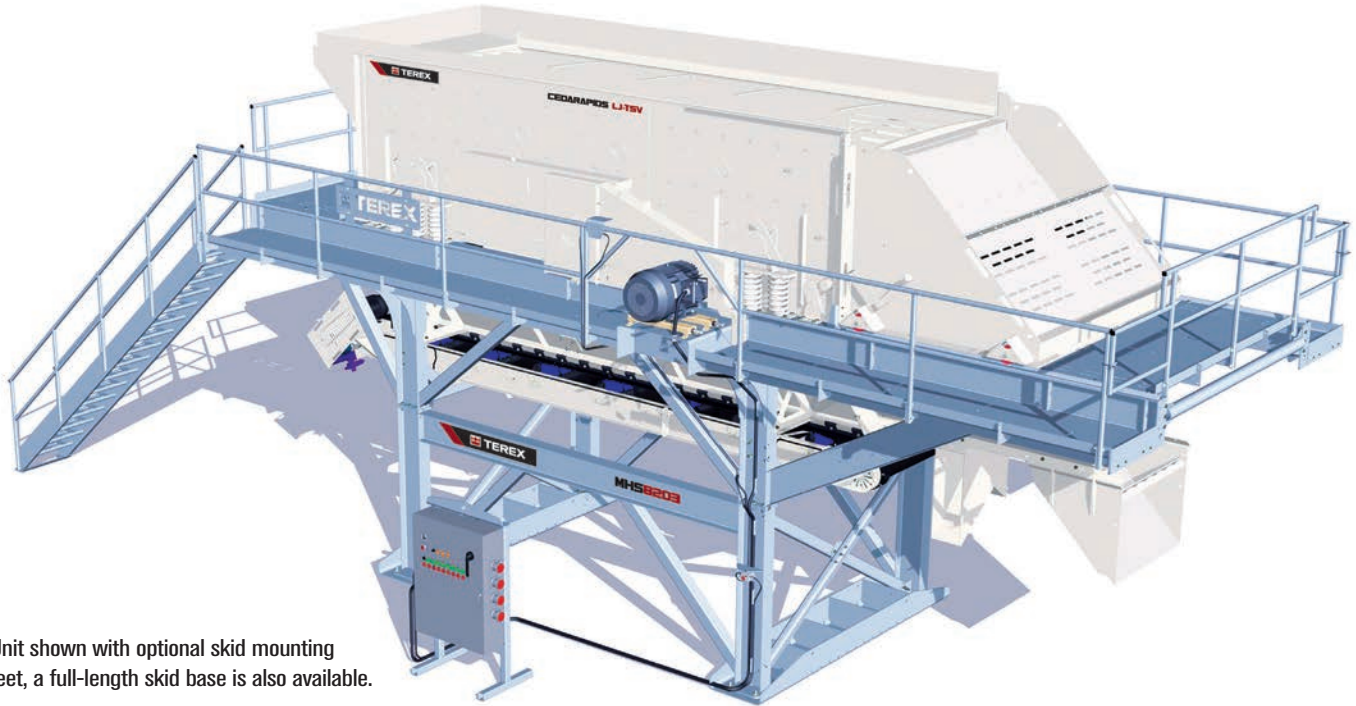


MHS8203 HORIZONTAL SCREEN MODULE



Unit shown with optional skid mounting feet, a full-length skid base is also available.

STANDARD FEATURES

Module Structure

- ▶ Bolts together on site, quick set-up time with basic tools
- ▶ Pre-wired “plug and play” design, minimal on-site wiring
- ▶ Robust weather-protected control panel with user-friendly controls
- ▶ Galvanized steel structure including walkways, stairs and guard rails
- ▶ Extra-heavy-duty I-beam frame
- ▶ Rigid diagonal truss construction
- ▶ Integrated rolling chute mechanism and integrated trouser leg chutes
- ▶ CE compliant module structure and components
- ▶ Systematically packed in shipping containers for quick site setup and easy transport

Underscreen Conveyor

- ▶ 60" (1524mm) fully skirted underscreen fines conveyor
- ▶ 20 hp (15kW) standard drive electric motor and gearbox
- ▶ 3-ply belt with vulcanized splice and easy access belt take-ups
- ▶ High performance belt wiper
- ▶ CEMA C 20° troughing rolls

Blending Chutes

- ▶ 4-section (25%) blending gate system for all decks
- ▶ Product combinations: bottom deck & fines; center & bottom decks; top & center decks
- ▶ Heavy-duty AR 400 liners

Terex® Cedarapids LJ-TSV Horizontal Screen

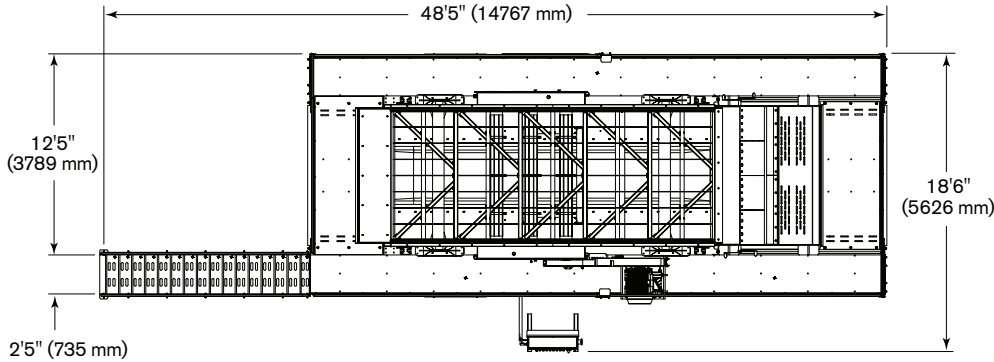
- ▶ 8' x 20' (2438mm x 6096mm) 3-deck LJ-TSV8203-38 horizontal screen with El-Jay™ oval stroke design
- ▶ Three-shaft vibrator mechanism with adjustable stroke angle, stroke length, and speed
- ▶ 25% thicker 5/16" (8 mm) grade 50 high strength steel side plates
- ▶ Heavy-duty fully braced single crown steel deck construction
- ▶ Exclusive patented and patent-pending features for durability and easy maintenance:
 - Low maintenance vibration damper system
 - “Flow-through” bearing lubrication
 - Baffle splash lubrication system
 - Double O-ring sealed for life vibrator construction
- ▶ Spherical washer design eliminates sidewall welds
- ▶ Huck-bolted screen box construction (no welds)
- ▶ Extended life coil spring suspension
- ▶ Replaceable bolt-on spring guides
- ▶ Gland type non-wearing shaft seal
- ▶ Tool-less oil level sight glasses

Power Panel

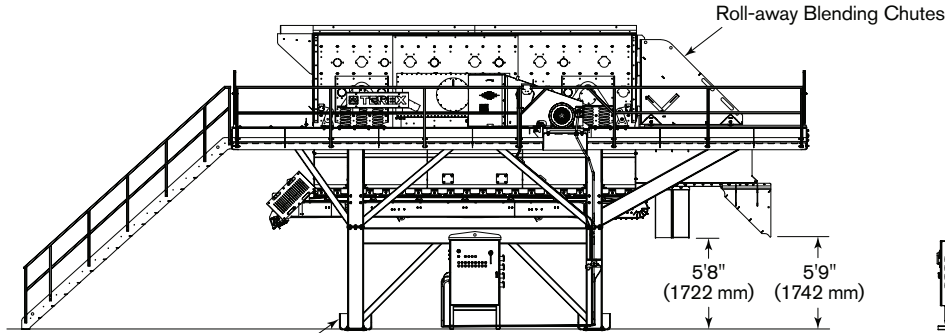
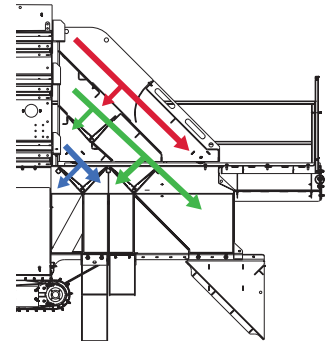
- ▶ Electric power panel for screen and on plant collection conveyor, 50 hz standard
- ▶ Additional motor starters for off-plant feed conveyor and four product conveyors

SPECIFICATIONS

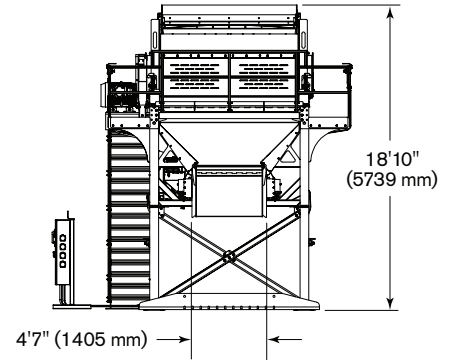
Terex® Minerals Processing Systems MHS8203 Horizontal Screen Module



Blending Capabilities



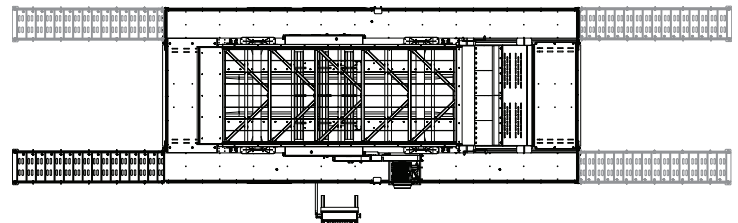
Optional Skid Mounting Feet (a full-length skid base is also available)



MHS8203 Horizontal Screen Module Specifications	
Screen Size	8' x 20' (2438 x 6096 mm)
Screen Motor	50 hp (37 kW)
Underscreen Conveyor Width	60" (1524 mm)
Underscreen Conveyor Motor	20 hp (15 kW)
Estimated Module Weight	60,000 lbs (27215 kg)

Access Stairs Configurations

Four positions available



www.terexmps.com

Effective Date: October 2014. Product specifications and prices are subject to change without notice or obligation. The photographs and/or drawings in this document are for illustrative purposes only. Refer to the appropriate Operator's Manual for instructions on the proper use of this equipment. Failure to follow the appropriate Operator's Manual when using our equipment or to otherwise act irresponsibly may result in serious injury or death. The only warranty applicable to our equipment is the standard written warranty applicable to the particular product and sale and Terex makes no other warranty, express or implied. Terex, the Terex Crown design, Works For You, Cedarapids, and El-Jay are trademarks of Terex Corporation or its subsidiaries. © 2014 Terex Minerals Processing Systems. All rights are reserved.

Terex® Minerals Processing Systems, 909 17th Street NE, Cedar Rapids, IA 52402 USA
Tel +1 319 363 3511 ▪ Fax +1 319 399 4871 ▪ Email MPSsales@terex.com ▪ www.terexmps.com

Form 26336 (10/14)



WORKS FOR YOU.™