

MC1000 CONE MODULE



STANDARD FEATURES

Module Structure

- ▶ Bolt together on-site, quick setup time with basic tools
- ▶ Pre-wired “plug and play” design, minimal on-site wiring
- ▶ Robust weather-protected control panel with user-friendly controls
- ▶ Galvanized steel structure including walkways, steps and guard rails
- ▶ Repositionable bracing permits 3 locations for discharge conveyor
- ▶ CE compliant module structure and components
- ▶ Crusher discharge chute with dust enclosure
- ▶ Easily transportable in 40' (12,192 mm) container

TC1000 Cone Crusher

- ▶ Terex® TC1000 cone with 40" (1000 mm) cone chamber
- ▶ Live frame assembly including drive, drive guard, and AV mounts
- ▶ 250 hp (185 kW) motor
- ▶ Mechanical ‘Level Control’ switch
- ▶ Handles “all in feed” to enable attrition crushing
- ▶ All roller bearing design for outstanding crushing efficiency
- ▶ Hydraulically adjustable closed side setting
- ▶ Easy manganese changes
- ▶ Unrestricted feed opening
- ▶ Full range of machine configurations (short and long stroke)
- ▶ Liner profiles to suit most applications

OPTIONAL EQUIPMENT

- ▶ Feed conveyor magnet
- ▶ Magic eye level control

SPECIFICATIONS

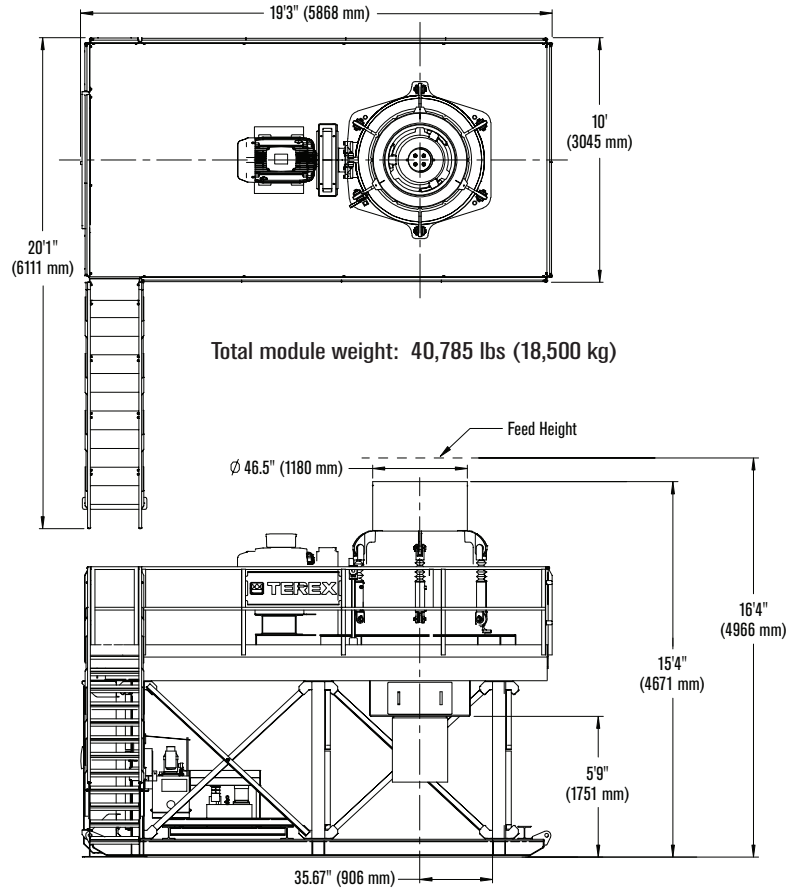
Terex® Minerals Processing Systems MC1000 Cone Module



Complete Cone Starter Panel



Cone Module Easily Transports in 40' (12.2m) Container



Cone Model	Terex® TC1000 Sand	Terex® TC1000
Motor Size	215 hp (160 kW)	250 hp (185 kW)
Cone Head Diameter	39" (1000 mm)	39" (1000 mm)
Maximum Feed Size	2-1/2" (63 mm)	7-1/2" (195 mm)
Capacity	75-135 TPH (70-125 MTPH)	135-240 TPH (125-220 MTPH)
Basic Crusher Weight	22,040 lbs (10,000 kg)	22,040 lbs (10,000 kg)
Crusher Width	91" (2311 mm)	91" (2311 mm)
Crusher Height	68" (1730 mm)	68" (1730 mm)
Bearing Type Thrust	Taper Roller	Taper Roller
Bearing Type Radial	Roller	Roller
Adjustment	Hydraulic Cylinder	Hydraulic Cylinder

Note: Listed throughput capacity, maximum feed size and motor requirements are approximate and will vary depending on material properties, feed gradation, moisture content, chamber selection, feed method and other site specific operating conditions. Contact your nearest Terex® Minerals Processing Systems Dealer for further details.

www.terexmps.com

Effective Date: November 2012. Product specifications and prices are subject to change without notice or obligation. The photographs and/or drawings in this document are for illustrative purposes only. Refer to the appropriate Operator's Manual for instructions on the proper use of this equipment. Failure to follow the appropriate Operator's Manual when using our equipment or to otherwise act irresponsibly may result in serious injury or death. The only warranty applicable to our equipment is the standard written warranty applicable to the particular product and sale and Terex makes no other warranty, express or implied. Products and services listed may be trademarks, service marks or trade-names of Terex Corporation and/or its subsidiaries in the USA and other countries. All rights are reserved. Terex is a registered trademark of Terex Corporation in the USA and many other countries. © 2012 Terex Corporation.

Terex® Minerals Processing Systems, 909 17th Street NE, Cedar Rapids, IA 52402 USA
Tel +1 319 363 3511 Fax +1 319 399 4871 www.terexmps.com

Form 25742 (11/12)



WORKS FOR YOU.™