

TRAKPACTOR 500

The Powerscreen® Trakpactor 500 is a horizontal shaft impactor which is versatile, efficient and highly productive. It offers both excellent reduction and a high consistency of product yield in quarrying, recycling and demolition applications. The machine is ideally suited to contract crushing due to its high productivity and ease of setup, operation and maintenance.

Features & Benefits

- Suitable for a variety of feed materials including recycling, demolition & quarry applications
- Load management system to control feeder speed
- Double deck grizzly feeder with under screen
- Impact crusher with hydraulic overload protection
- 4 Bar rotor with twin apron design
- Crusher speed variation through user friendly PLC control system
- Modular conveyor with raise/lower facility to aid clearance of rebar
- Economical to operate with a chamber drive via clutch & highly fuel efficient direct drive system
- Hydraulically folding recirculation conveyor, no crane required during set-up (Trakpactor 500SR)
- Full length conveyor "under belt version"

Options

- Full & half size martensitic, austenitic, chrome, ceramic blow bars
- Vibrating grizzly feeder
- 4 Full size blowbars in lieu of 2 full 2 half blowbars
- Blow bar crane
- Wire mesh for grizzly underscreen
- Optical belt scale
- Single pole/twin pole magnet
- Side conveyor
- Electric refuelling pump
- Hydraulic driven water pump
- Radio remote control
- 2 Deck live pre-screen
- Single deck post-screen. Patent Application Number: DE 10305589.4 (Trakpactor 500SR)
- Plant lighting
- Fully independent under crusher vibrating pan feeder

Applications

- Blasted rock
- River rock
- C & D waste
- Foundry waste
- Processed ores
- Processed minerals

Output Potential

Up to 500 tph (550 US tph)*

Hopper

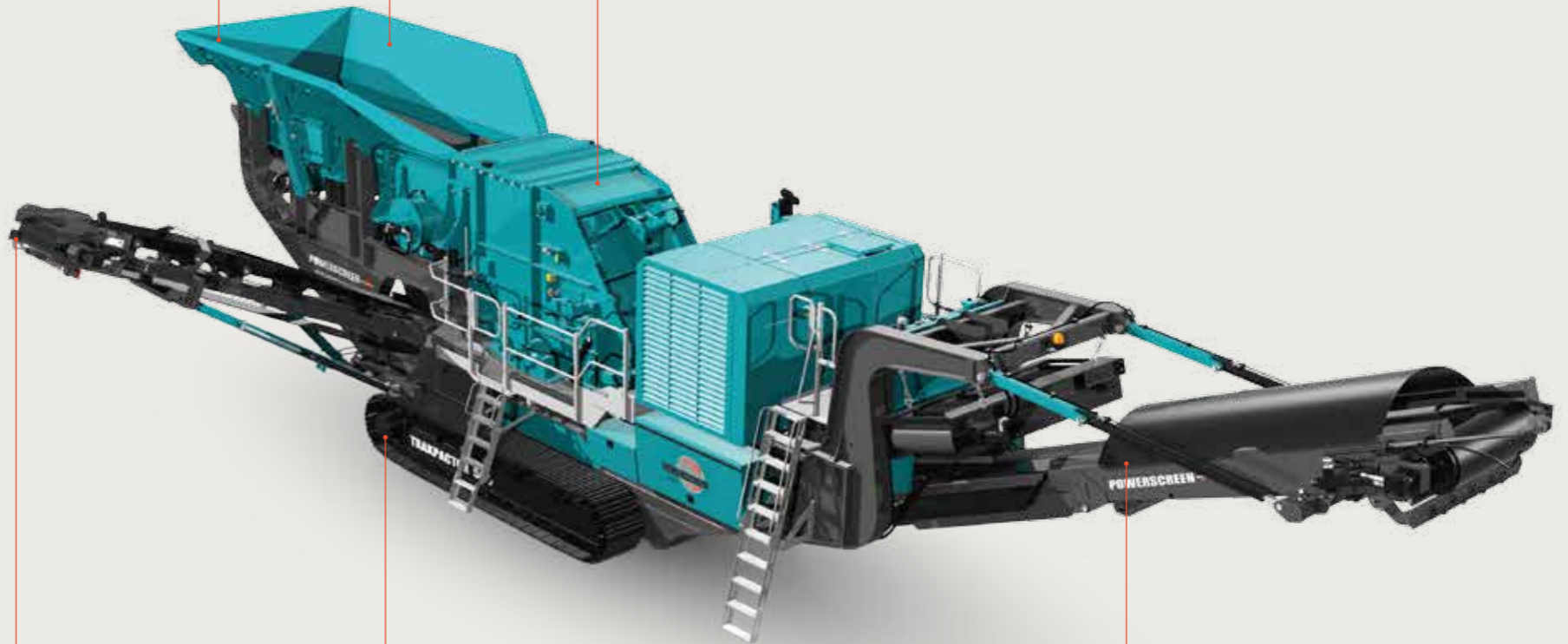
Wear resistant hopper
Length: 4.96m (16' 3")
Width: 2.62m (8' 7")
Capacity: 7m³ (9.2yds³)

Feed Conveyor

Vibrating pan and grizzly feeder
Length: 4.26m (14')
Width: 1.38m (4'6")
Grizzly length: 2m (6' 6")

Crusher

Twin apron, 4 bar impact crusher
Feed Opening: 1360 x 800mm (53" x 31")
Min. CSS: 75mm (3") upper apron
Min. CSS: 35mm (1.4") lower apron



Side Conveyor (option)

Width: 800mm (31.5")
Discharge height: 3.6m (11' 10")

Tracks

Width: 500mm (15.7")

Product Conveyor

Width: 1200mm (47")
Discharge height: 4.16m (13' 9")

Trakpactor 500

| | |
|------------------|---|
| Weight (Est) | 56,000kg (123,500lbs) including side conveyor and magnet |
| Transport width | 3m (9'10") |
| Transport length | 17.3m (56'8") |
| Transport height | 3.8m (12'6") |
| Working width | 3m (9'10") 7m (23') (with side conveyor) |
| Working length | 17m (56") |
| Working height | 4.1m (13'6") |



*Depends on application
Engines are available that are certified to US EPA and EU off road diesel emission standards. Talk to your dealer about possible certification options (i.e. Tier 3/Stage 3A, Tier 4/Stage 3B, Tier 4F / Stage 4).

