

T 100



FEATURES

- Mobile screw recovery, twin bucket wheel designed units for the removal of clays, silts and slimes
- Can produce up to 2 grades of sand
- Designed to operate with maximum versatility and can support different requirements such as maximum retention of fines or maximum disposal of fines
- Can be driven hydraulically from the M Range or from its own optional electric power pack

SPECIFICATIONS

FEATURES AND BENEFITS

- Double & single grade chutes (plastic lined)
- Slurry intake boxes (rubber lined)
- High capacity variable speed twin bucket wheel
- Deep fluted fines recovery screw with variable speed
- 15hp electric / hydraulic powerunit (optional)
- Adjustable plate between bucket and settling tank for release or retention of fines
- High capacity depending on material size and type
- Low running cost
- Can produce one or two grades of material
- Excellent fines recovery
- Specially designed inlet boxes which reduce turbulence at entry.
- Weir discharge system
- Production of silt free material
- Increased drainage time produces a drier product
- Can be hydraulically coupled to TWS Mobile M Range

APPLICATIONS

- All forms of concrete, mortar and asphalt sands.
- Quarry dust / crushed fines.
- Lake and beach sands.
- Slag
- Golf course sands.
- Filter bed sands.
- Fly ash.
- Iron ore

T 100

WHEEL DIAMETER	2.6m (8' 6")
SPIRAL DIAMETER	2.04m (6' 9")
SPIRAL LENGTH	1.6m (5' 3")
WEIR LENGTH	6.90m (22' 7")
BUCKET WIDTH	0.75m (30")
NO. BUCKETS	28 off
WATER TANK CAPACITY	8855L (1948gls)
WATER FLOW RATE	1360 - 2724L/m (300 - 600Gpm)
WORKING LENGTH	5.62m (18' 5")
WORKING WIDTH	3.72m (12' 3")
WORKING HEIGHT	3.51m (11' 6")
TOTAL WEIGHT WORKING	14800kg (32600lb)

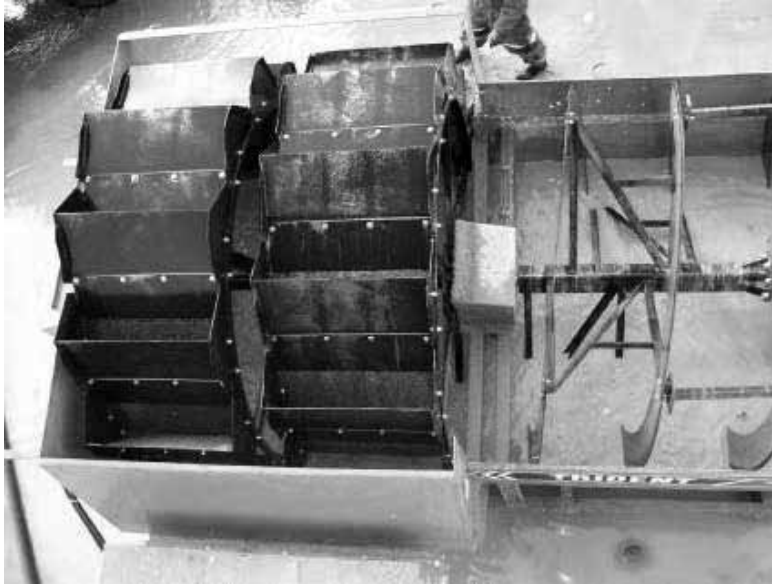


FINE SAND (0 - 3mm)	Approx. 20 - 40 tph
COURSE SAND (0 - 6mm)	Approx. 60 - 80 tph
MAX SILT	10% - 12%

OPTIONS

- Boiler box for dry feed
- Input boxes with 200mm (8") or 250mm (10") inlets
- Electric hydraulic powerpack
- Static unit without towbar and wheels





BUCKET WHEEL

Buckets 28 off (double grade)

Bucket volume 0.045m³ (0.060yds³)

Diameter 2.6m (8ft 6ins)

Width 750mm (30ins)

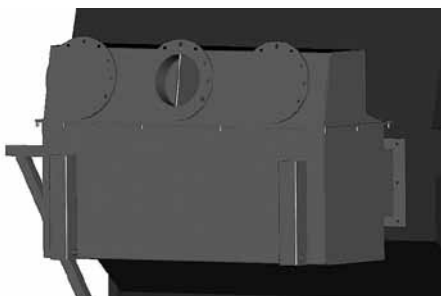
Bucket speed 0 - 1.5 rpm



Plastic lined chute on discharge.



Twin buckets allows one or two final products



Single or double grade feed box also available



Optional double grade chute for two product output



AUGER SCREW

Deep fluted fines recovery screw with variable speed

Adjustable plate between bucket and settling tank for release or retention of fines

Hydraulically driven for maximum torque

Variable speed. Separate to bucket speed

Discharge weir for maximum silt removal



Weir on front of machine for maximum silt removal



Deep fluted fines screw



CHASSIS

Solid single axle, towbar, and site wheels

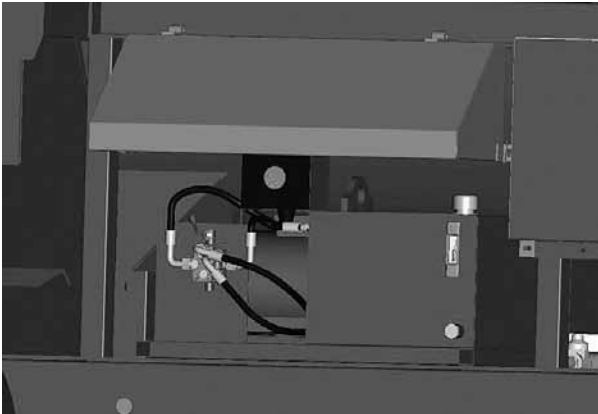
4 retractable jacking legs to facilitate portability

Heavy duty steel construction

Easy access to all serviceable areas

Guards designed to comply with Machinery Directive

Optional electric hydraulic powerpack 11kW (15hp)



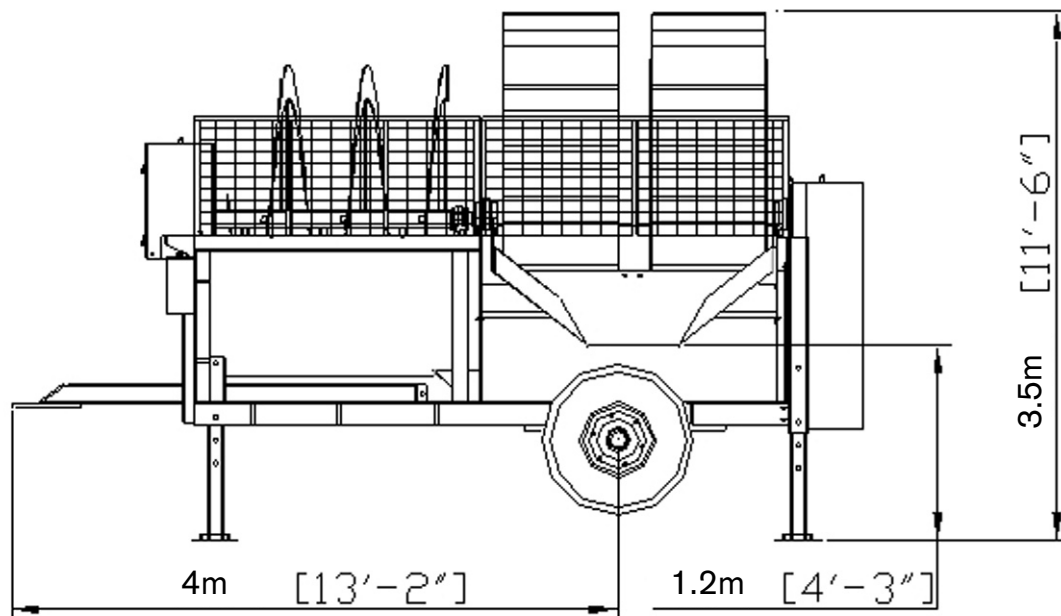
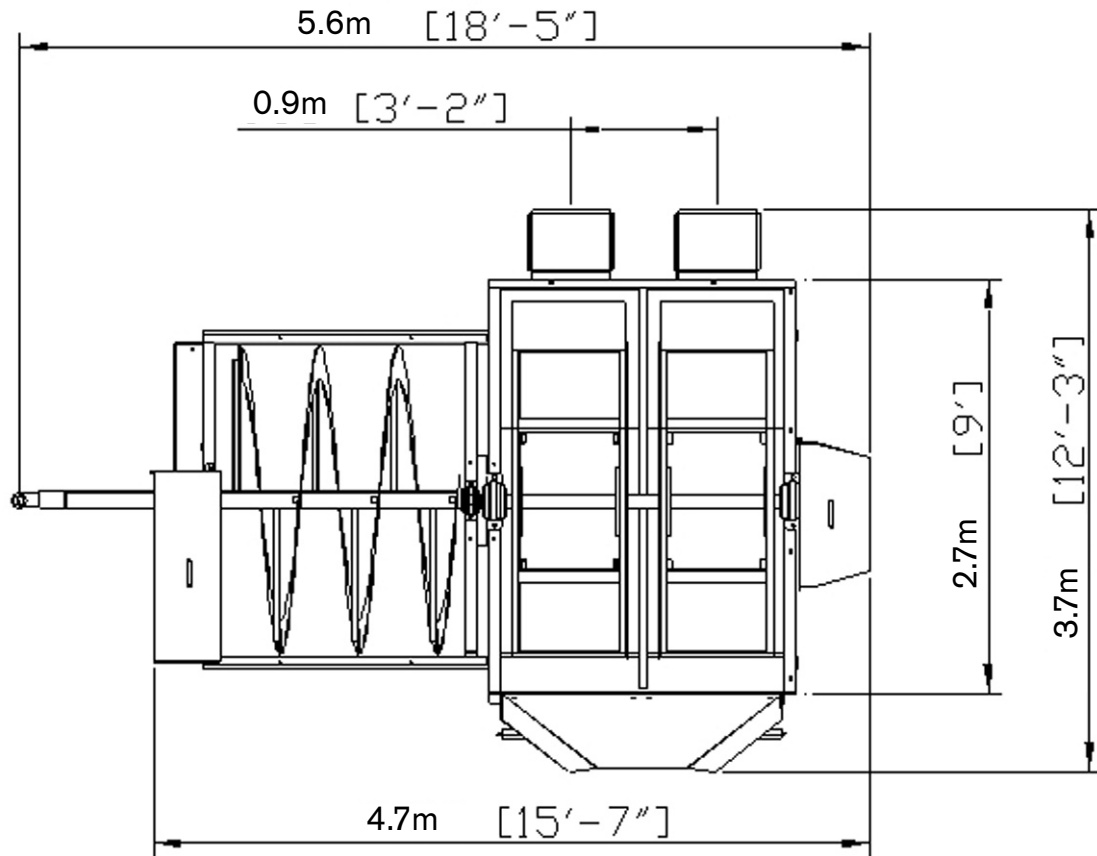
Optional electric hydraulic powerpack



Jacking legs and towbar for quick transport and setup

DIMENSIONS

T 100 WORKING DIMENSIONS



TEREX WASHING SYSTEMS CONTACT DETAILS

Dungannon Site

200 Coalisland Road,
Dungannon.
Co. Tyrone,
Northern Ireland,
BT71 4DR

Tel: +44(0) 28 8771 8500

Email: TWS.sales@terex.com

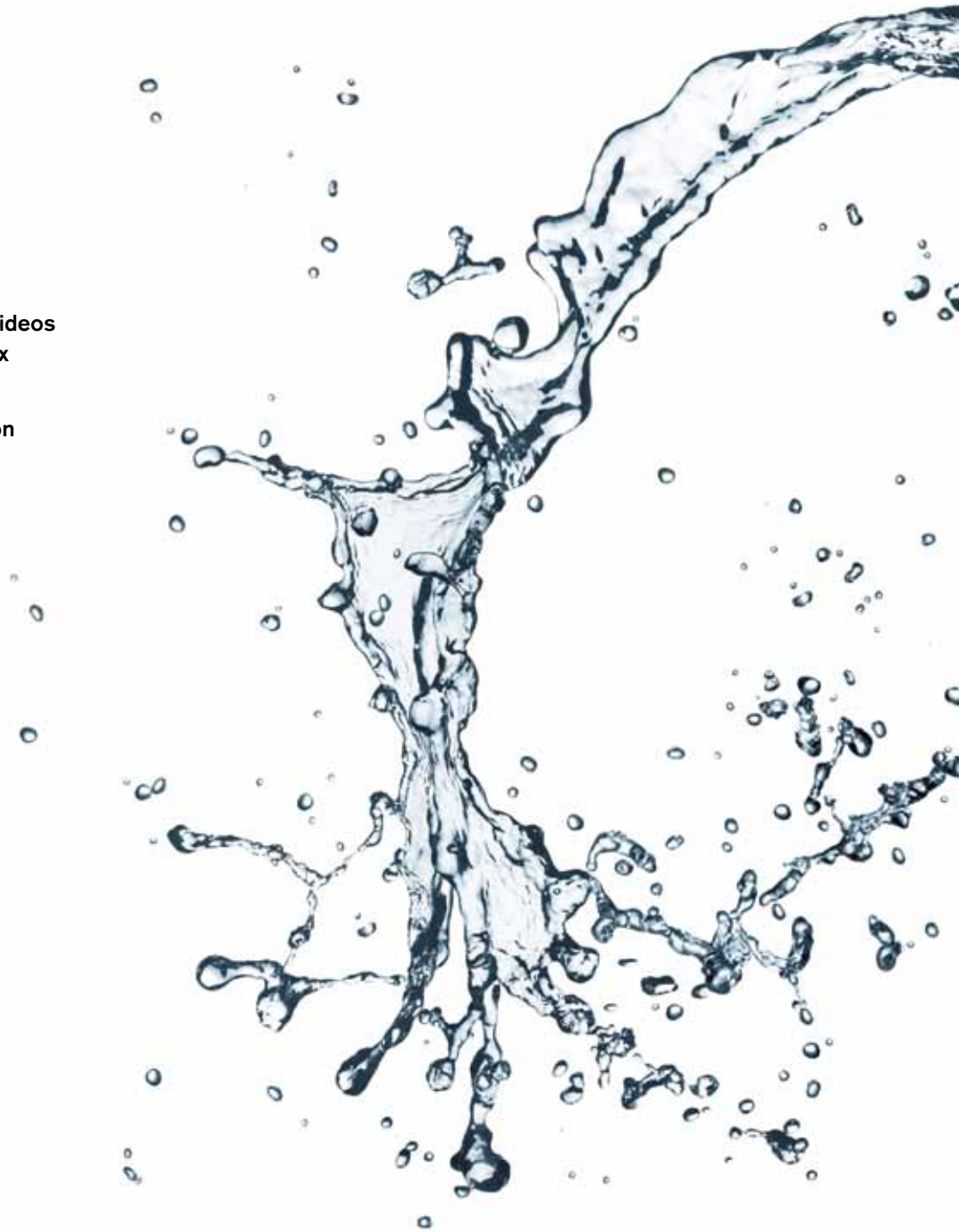
www.terex.com/washing

YouTube

Check out Terex Washing Systems videos
on YouTube: www.youtube.com/terex



www.facebook.com/TerexCorporation



Effective Date: July 2012 Product specifications and prices are subject to change without notice or obligation. The photographs and/or drawings in this document are for illustrative purposes only. Refer to the appropriate Operator's Manual for instructions on the proper use of this equipment. Failure to follow the appropriate Operator's Manual when using our equipment or to otherwise act irresponsibly may result in serious injury or death. The only warranty applicable to our equipment is the standard written warranty applicable to the particular product and sale and Terex makes no other warranty, express or implied. Products and services listed may be trademarks, service marks, or trade names of Terex Corporation and/or its subsidiaries in the USA and other countries. All rights are reserved. Terex is a registered trademark of Terex Corporation in the USA and many other countries. © 2010 Terex Corporation.



WORKS FOR YOU.™