

SW 100 / SW 200



FEATURES

- Single and twin screw options for fines washing, classifying and dewatering materials.

FEATURES AND BENEFITS

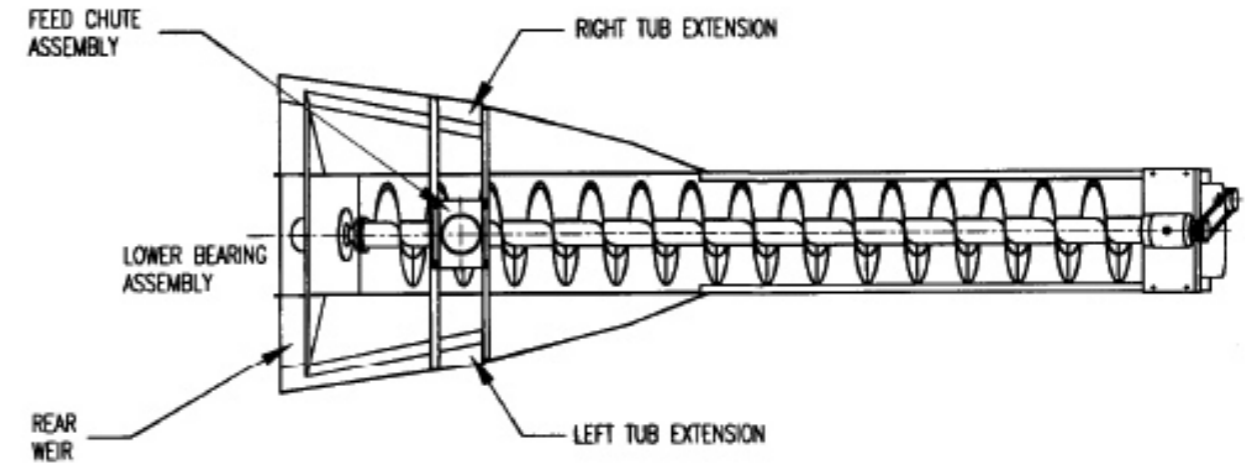
The The Terex® SW 100 Sandscrew is a single screw fine material washer/classifier/dewaterer. The recommended maximum material size is 3/8" (10mm). The approximate capacity of the SW 100 Sandscrew is 50-100 TPH.

The The Terex® SW 200 is a twin screw fine material washer/classifier/dewaterer. The recommended maximum material size is 3/8" (10mm). The approximate capacity of the SW 200 Sandscrew is 100-200 TPH.

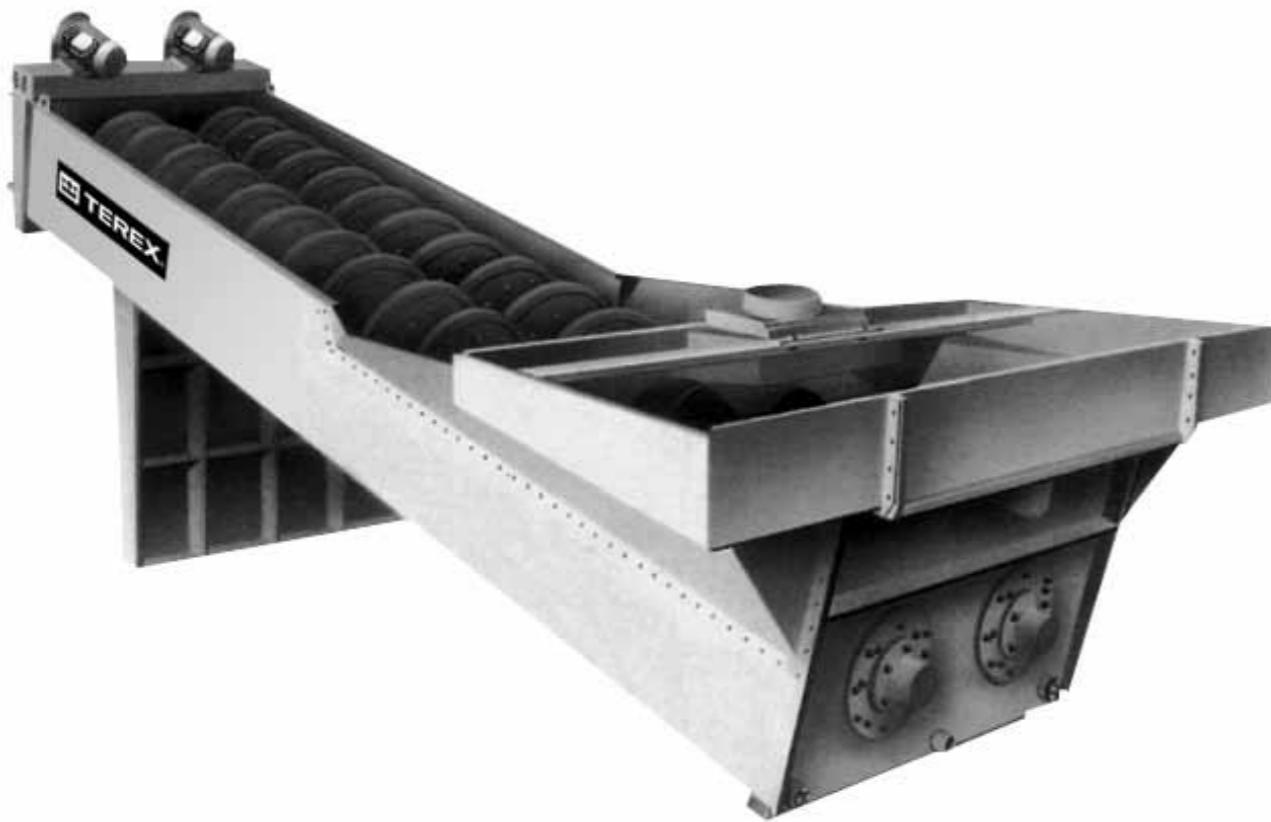
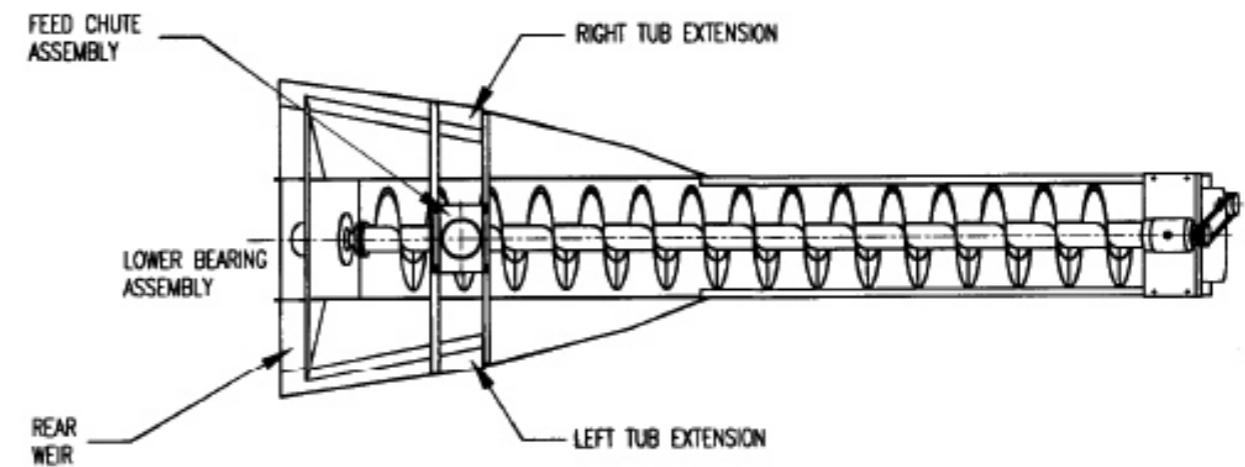
SPECIFICATIONS

	SW 100	SW 200
CAPACITY	50-100tph	100-200tph (55short tn - 110short tn)
MAXIMUM FEED SIZE	10mm (3/8")	10mm (3/8") (110short tn - 120short tn)
WATER REQUIRED	180-700 GPM (25 PSI)	350-1250 GPM (25 PSI)
SCREW DIAMETER	0.9m (36")	0.9m (36")
TUB LENGTH	7.6m (25')	7.6m (25')
SCREW SPEED	21rpm	21rpm
MOTOR RECOMMENDATION	15hp/1800rpm	2 x 15hp/1800rpm
DRIVE SHEAVE	3B-60	3B-60
V BELTS	(3), B98	2 x (3) B98
WEIGHT OF WASHER	14,500lbs	25,500lbs
LOADED WEIGHT	31,400lbs	61,800lbs
SLOPE OF MACHINE	18°	18°

FEATURES - SW 100

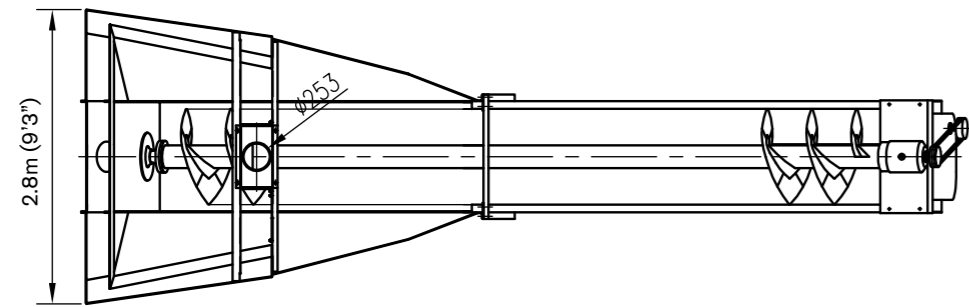
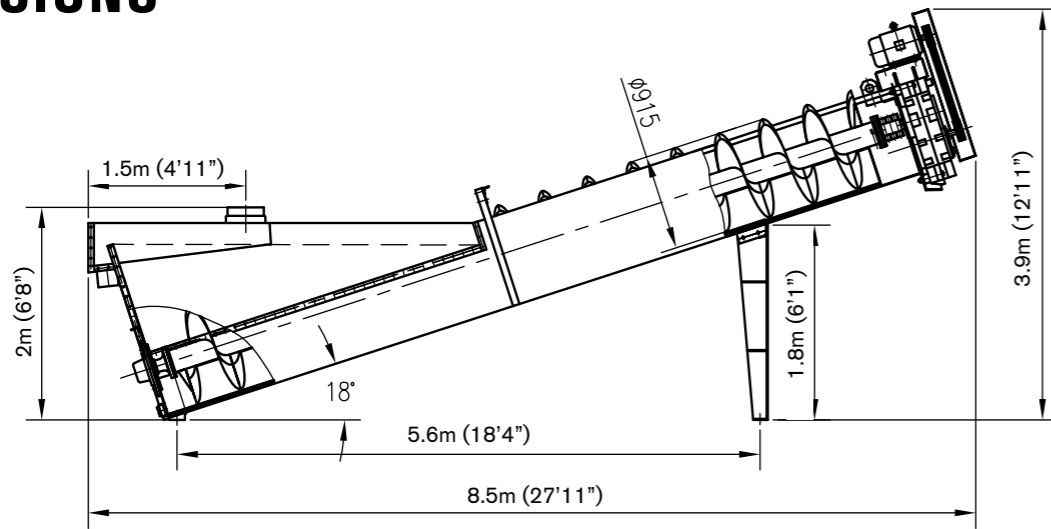


FEATURES - SW 200

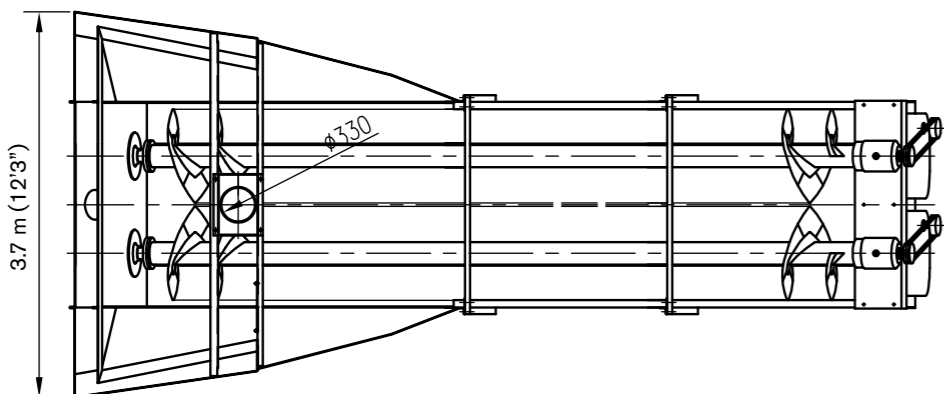
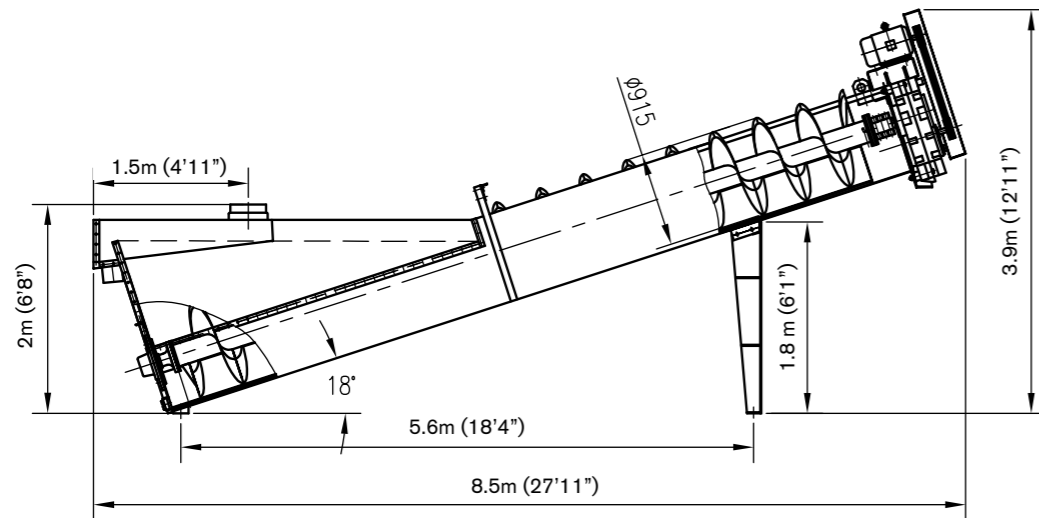


DIMENSIONS

SW 100



SW 200



TEREX WASHING SYSTEMS CONTACT DETAILS

Dungannon Site

200 Coalisland Road
Dungannon
Co. Tyrone
Northern Ireland
BT71 4DR

Tel: +44(0) 28 8771 8500

Email: TWS.sales@terex.com

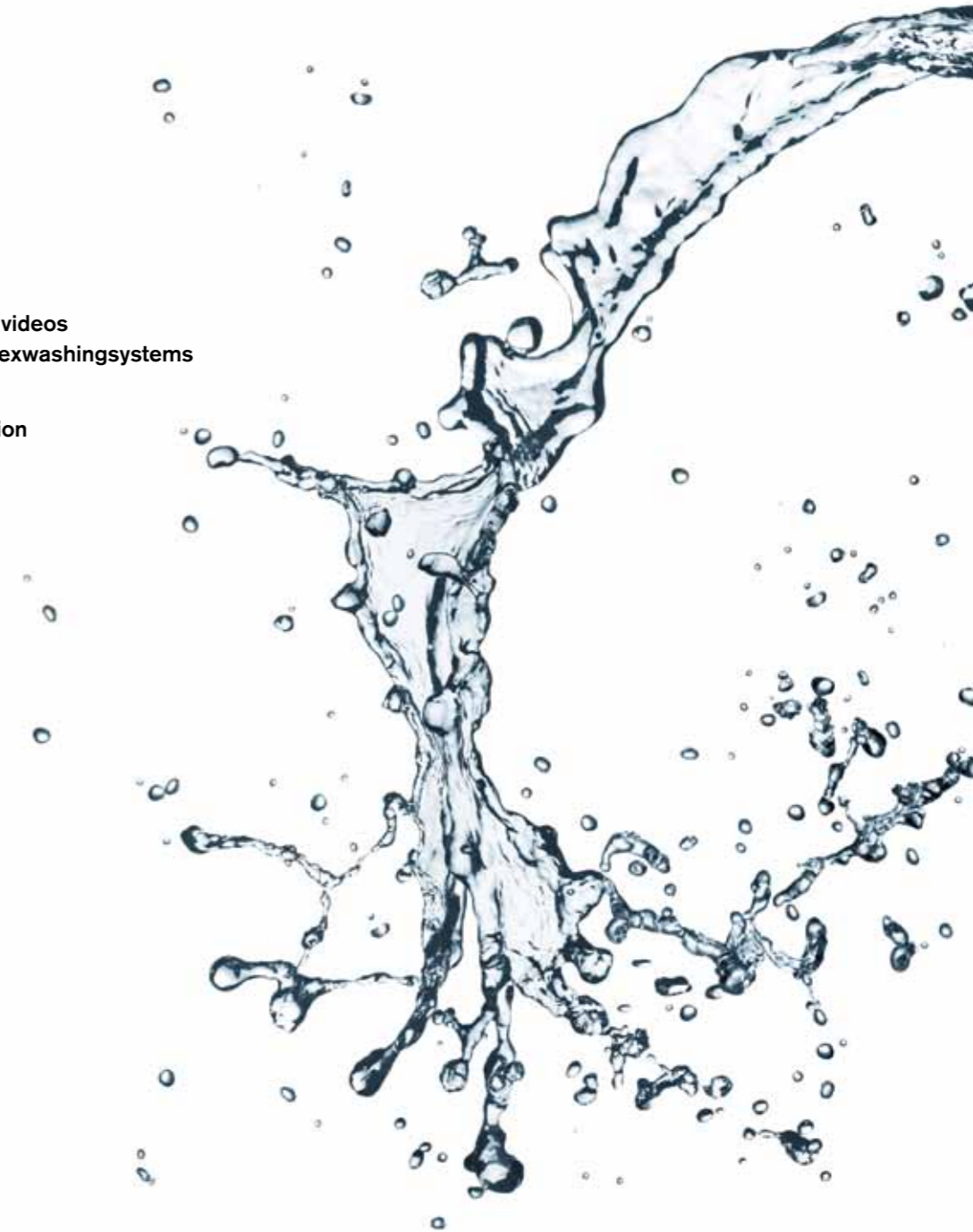
www.terex.com/washing

YouTube

Check out Terex Washing Systems videos
on YouTube: www.youtube.com/terexwashingsystems

f

www.facebook.com/TerexCorporation



Effective Date: May 2013 Product specifications and prices are subject to change without notice or obligation. The photographs and/or drawings in this document are for illustrative purposes only. Refer to the appropriate Operator's Manual for instructions on the proper use of this equipment. Failure to follow the appropriate Operator's Manual when using our equipment or to otherwise act irresponsibly may result in serious injury or death. The only warranty applicable to our equipment is the standard written warranty applicable to the particular product and sale and Terex makes no other warranty, express or implied. Products and services listed may be trademarks, service marks, or trade names of Terex Corporation and/or its subsidiaries in the USA and other countries. All rights are reserved. Terex is a registered trademark of Terex Corporation in the USA and many other countries. © 2010 Terex Corporation.



WORKS FOR YOU.™